

Productos PRO GOMEZ NARANJO & CIA LTDA

Catalogo de productos



K-ARRAY
Unique Audio Solutions

Productos PRO GOMEZ NARANJO & CIA LTDA

Catalogo de productos



es una renombrada fábrica de solución una de audio con nuestra sede global en Florencia, Italia. Desde 1990, nosotros hemos concentrado nuestros esfuerzos y recursos en los revolucionarios diseños y fábricas de sistema de audio altamente eficiente con rendimiento impresionantes.

Para ser un inventor, tienes que ser un poco rebelde para ir en contra la corriente y eso es lo que nos propusimos hacer año tras año con nuestra tecnología innovadora e incomparables soluciones.

The Vision

K-array is a renowned manufacturer of unique audio solutions with our global headquarters in Florence, Italy. Since 1990, we have concentrated our efforts and resources in the revolutionary design and manufacture of highly efficient audio systems with impressive performance.

To be an inventor, you have to be a bit rebellious to go against the grain and that is what we set out to do year after year with our innovative technologies and unparalleled solutions. We pride ourselves on being unique to the market, inventing solutions never dreamed of before.

Whether a flexible, long speaker or extremely flat speaker boxes, we pioneer the design of audio elements that are adaptable to a host of applications so that audio quality is never compromised.

Our creativity, culture and design come from our deeply-entrenched Italian roots and we aim to demonstrate this through every facet of our creations. Crafted with artistry using premium materials, K-array's products are created right here in Tuscany. And accommodating our clients, colleagues and partners with Italian hospitality means our tight-knit group is considered family.

That's what we consider the K-EXPERIENCE.

Product Collection

With an extensive portfolio of ultra-compact speakers for small, medium and large-scale applications, including fixed installations, event productions and live sound, K-array is exceeding industry demands for speakers that are heard but not seen.

Installed Sound

p. 4

A wide range of sound systems for commercial, institutional and public venues.

Portable Systems

p. 32

Ultra-light, high-tech, powered speaker systems that are easy to setup and dismantle.

Concert Series

p. 44

Lightweight and compact line array systems for festivals, touring and large events.

Installed Sound

K-array's Installed Sound series is a collection of the most aesthetically-refined and quality loudspeakers in the professional audio industry.

Operating in the heart of Tuscany where architecture has had a profound effect on Italian culture, K-array believes that while sound makes an experience, it should remain invisible and not affect the aesthetics of a venue. Requiring creative manipulation and coordination of materials and technology, the Installed Sound loudspeakers are designed with a sleek form so that they are easily integrated into the layout of an environment.

Our loudspeakers also boast the most durable and resistant materials providing the most reliable solutions on the market. Weather resistant speakers made of aluminum and steel make up the frame of all the products within the Installed Sound series.

These premium products are also available in a variety of luxury finishes made of precious materials, like 24K gold.





Azimut

A complete audio solution
in a minimalist design package



Restaurants and Cafes



Hotels and Resorts



Retail



Museums and Exhibitions



Residential



Azimut-KAMUT2L1

Lyzard-KZ1 | Speakers

General

Type	Point source
Transducers	0.5" neodymium magnet woofer
Frequency Response ⁽¹⁾	500 Hz – 18 kHz (-6 dB)
Max SPL ⁽²⁾	86 dB (peak)
Rated Power	3.5 W
Coverage	V. 140° H. 140°
Connectors	IN+ IN- screw terminals
Nominal Impedance	16 Ω

Handling & Finishes

Dimensions (WxHxD)	22 x 37 x 11 mm (0.9 x 1.5 x 0.4 in)
Weight	0.021 kg (0.046 lb)
Material	Aluminum
Colors	Black, White, Custom RAL
Finishes	24K Gold, Polished
IP Rating	IP64

Azimut-KAMUT2L14

Lyzard-KZ14 | Speakers

General

Type	Line array
Transducers	4 x 0.5" neodymium magnet woofers
Frequency Response ⁽¹⁾	500 Hz – 18 kHz (-6 dB)
Max SPL ⁽³⁾	98 dB (peak)
Rated Power	15 W
Coverage	V. 40° H. 140°
Connectors	IN+ IN- screw terminals
Nominal Impedance	16 Ω

Handling & Finishes

Dimensions (WxHxD)	22 x 100 x 11 mm (0.9 x 3.9 x 0.4 in)
Weight	0.059 kg (0.130 lb)
Material	Aluminum
Colors	Black, White, Custom RAL
Finishes	24K Gold, Polished
IP Rating	IP64

Truffle-KTR24 | Subwoofer

General

Type	Passive subwoofer
Transducers	4" woofer + passive radiator
Frequency Response ⁽¹⁾	45 Hz – 150 Hz (-6 dB)
Max SPL ⁽²⁾	112 dB (peak)
Rated Power	60 W
Coverage	Omni
Connectors	2PIN euroblock connector (included)
Nominal Impedance	4 Ω

Handling & Finishes

Dimensions (WxHxD)	122 x 117 x 199 mm (4.8 x 4.6 x 7.8 in)
Weight	1.5 kg (3.31 lb)
Material	Aluminum
Colors	Black
Finishes	Powder Matte
IP Rating	IP64

Truffle-KTR25 | Subwoofer

General

Type	Passive subwoofer
Transducers	5.25" woofer + passive radiator
Frequency Response ⁽¹⁾	45 Hz – 150 Hz (-6 dB)
Max SPL ⁽²⁾	115 dB (peak)
Rated Power	80 W
Coverage	Omni
Connectors	2PIN euroblock connector (included)
Nominal Impedance	4 Ω

Handling & Finishes

Dimensions (WxHxD)	152 x 147 x 258 mm (6.0 x 5.8 x 10.2 in)
Weight	2.5 kg (5.51 lb)
Material	Aluminum
Colors	Black
Finishes	Powder Matte
IP Rating	IP64

Kommander-KA02 | Amplifier

For technical specifications, see page 26

Kommander-KA02 | Amplifier

For technical specifications, see page 26

Azimut

A complete audio solution
in a minimalist design package



 Restaurants and Cafes

 Hotels and Resorts

 Retail

 Museums and Exhibitions

 Residential

Azimut-KAMUT2V25

Vyper-KV25 | Speakers

General

Type	Line array
Transducers	4 x 1" neodymium magnet woofers
Frequency Response ⁽¹⁾	150 Hz - 18 kHz (-6 dB)
Max SPL ⁽³⁾	108 dB (peak)
Rated Power	75 W
Coverage	V. 25° H. 140°
Connectors	2PIN euroblock connector (included)
Nominal Impedance	8 Ω / 32 Ω selectable

Handling & Finishes

Dimensions (WxHxD)	40 x 260 x 22 mm (1.6 x 10.2 x 0.9 in)
Weight	0.4 kg (0.88 lb)
Material	Aluminum
Colors	Black, White, Custom RAL
Finishes	24K Gold, Polished, Brushed
IP Rating	IP64

Truffle-KTR26 | Subwoofer

General

Type	Passive subwoofer
Transducers	6.5" woofer + passive radiator
Frequency Response ⁽¹⁾	45 Hz - 150 Hz (-6 dB)
Max SPL ⁽²⁾	120 dB (peak)
Rated Power	100 W
Coverage	Omni
Connectors	2PIN euroblock connector (included)
Nominal Impedance	2 Ω

Handling & Finishes

Dimensions (WxHxD)	182 x 176 x 341 mm (7.1 x 6.9 x 13.4 in)
Weight	3.5 kg (7.72 lb)
Material	Aluminum
Colors	Black
Finishes	Powder Matte
IP Rating	IP64

Kommander-KA02 | Amplifier

For technical specifications, see page 26



Anakonda

Flexible, 2-meter array element speaker



Event Productions



Theaters



Auditoriums and Concert Halls



Houses of Worship



Stadiums and Sport Venues



Anakonda-KAN200

General

Type
 Transducers
 Frequency Response ⁽¹⁾
 Max SPL ⁽³⁾
 Rated Power
 Coverage
 Connectors
 Nominal Impedance

Line array
 16 x 1" neodymium magnet woofer
 150 Hz – 18 kHz (-6 dB)
 108 dB (peak)
 300 W
 V. 10° | H. 140°
 SpeakOn NL4 1+ 1- (signal); 2+ 2- (through)
 32 Ω

Handling & Finishes

Dimensions (WxHxD)
 Weight
 Material
 Colors
 IP Rating

2000 (±20 mm) x 56 x 35 mm
 (79.5 (±0.8 in) x 2.2 x 1.4 in)
 1.9 kg (4.2 lb)
 PVC/Neoprene
 Black, White
 IP64



Pinnacle-KR102

High tech, small-format
powered stereo system

Event Productions

Theaters

Auditoriums and Concert Halls

Houses of Worship

Concerts and Live Events



Thunder-KMT12

| Subwoofers

General

Type **Active subwoofer**
 Transducers **12" neodymium magnet driver**
 Frequency Response (1) **45 Hz – 150 Hz (-6 dB)**
 Max SPL (2) **131 dB (peak)**
 Coverage **Omni**
 Amp Module **2 ch. switch-mode, class D**
 Output Power **2 x 1000 W @ 8 Ω**
 Power consumption **300 W, 1/8 Rated Power (Pink Noise)**
 Connectors **INPUT: 2x XLR (bal) line input, 1x XLR AES3 input
 OUTPUT: 1x SpeakOn loudspeaker output + 2x XLR (bal) parallel line output, 1x XLR AES3 output SERIAL: 1x XLR RS485 serial input, 1x XLR RS485 serial output, 1x USB-B inlet**

Handling & Finishes

Dimensions (WxHxD) **326 x 343 x 433 mm (12.8 x 13.5 x 17 in)**
 Weight **15.6 kg (34.4 lb)**
 Material **Wood**
 Colors **Black, White, Custom RAL**
 IP Rating (9) **IP40**

Kobra-KK102

| Speakers

General

Type **Line array**
 Transducers **16 x 2" neodymium magnet woofers**
 Frequency Response (1) **150 Hz – 18 kHz (-6 dB)**
 Max SPL (3) **126 dB (peak)**
 Rated Power **400 W**
 Coverage **V. 7° - 35° | H. 120°**
 Connectors **SpeakOn NL4 1+ 1- (signal); 2+ 2- (through)**
 Nominal Impedance **8 Ω / 32 Ω selectable**

Handling & Finishes

Dimensions (WxHxD) **59 x 1000 x 81 mm (2.3 x 39.4 x 3.2 in)**
 Weight **4,8 kg (10.6 lb)**
 Material **Stainless Steel**
 Colors **Black, White, Custom RAL**
 Finishes **24K Gold, Polished, Brushed**
 IP Rating (5) **IP64**
 EN54-24 (4) **EN 54-24:2008 compliant**

Pinnacle-KR402

High-tech, medium-format
powered stereo system



Thunder-KMT1

| Subwoofers

General

Type **Active subwoofer**
 Transducers **21" neodymium magnet driver**
 Frequency Response (1) **30 Hz – 150 Hz (-6 dB)**
 Max SPL (2) **136 dB (peak)**
 Coverage **Omni**
 Amp Module **2 ch. switch-mode, class D**
 Output Power **2 x 2400 W @ 4 Ω**
 Power consumption **600 W, 1/8 Rated Power (Pink Noise)**
 Connectors **INPUT: 2x XLR (bal) line input, 1x XLR AES3 input
 OUTPUT: 1x SpeakOn loudspeaker output + 2x XLR (bal) parallel line output, 1x XLR AES3 output SERIAL: 1x XLR RS485 serial input, 1x XLR RS485 serial output, 1x USB-B inlet**

Handling & Finishes

Dimensions (WxHxD) **555 x 572 x 763 mm (21.8 x 22.5 x 30 in)**
 Weight **44 kg (97 lb)**
 Material **Wood**
 Colors **Black, White, Custom RAL**
 IP Rating (9) **IP40**

Python-KP102

| Speakers

General

Type **Line array**
 Transducers **12 x 3.15" neodymium magnet woofers**
 Frequency Response (1) **120 Hz – 18 kHz (-6 dB)**
 Max SPL (3) **134 dB (peak)**
 Rated Power **720 W**
 Coverage **V. 7° - 30° | H. 90°**
 Connectors **SpeakOn NL4 1+ 1- (signal); 2+ 2- (through)**
 Nominal Impedance **4 Ω / 16 Ω selectable**

Handling & Finishes

Dimensions (WxHxD) **89 x 1000 x 118 mm (3.5 x 39.4 x 4.7 in)**
 Weight **12.0 kg (26.5 lb)**
 Material **Stainless Steel**
 Colors **Black, White, Custom RAL**
 Finishes **24K Gold, Polished, Brushed**
 IP Rating (5) **IP64**
 EN54-24 (4) **EN 54-24:2008 compliant**



Event Productions

Theaters

Auditoriums and Concert Halls

Houses of Worship

Concerts and Live Events



Mugello

Electronic beam steerable,
powered line array speakers



Theaters



Large Congregations



Stadiums and Sport Venues



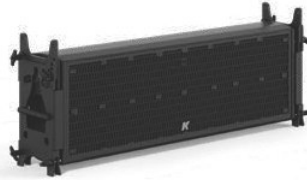
Nightclubs and Lounges



Concerts and Live Events



Mugello-KH2



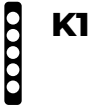
Mugello-KH3



Mugello-KS5

General

Type	Active line array element	Active line array element	Active subwoofer
Transducers	2 x 8" neodymium magnet woofer with 2.5" voice coil 2 x compression driver with 2.5" voice coil	2 x 12" neodymium magnet woofer with 2.5" voice coil 2 x compression driver with 2.5" voice coil	2x 21" Neodymium magnet woofer with 5.31" voice coil
Frequency Response ⁽¹⁾	120 Hz – 19 kHz (-6 dB)	120 Hz – 19 kHz (-6 dB)	25 Hz – 120 Hz (-6 dB)
Max SPL ⁽²⁾	136 dB peak	138 dB peak	141 dB peak
Coverage	V. 20° H. 110°	V. 20° H. 110°	Omni
Controllers	Remote control with dedicated PC software via USB or RS485. Onboard touch screen display	Remote control with dedicated PC software via USB or RS485. Onboard touch screen display	Remote control with dedicated PC software via USB or RS485. Onboard touch screen display
Connectors	Analog: 2x XLR (bal) input signal 2x XLR (bal) parallel output Digital: 1x XLR AES3 input 1x XLR AES3 output	Analog: 2x XLR (bal) input signal 2x XLR (bal) parallel output Digital: 1x XLR AES3 input 1x XLR AES3 output	Analog: 2x XLR (bal) input signal 2x XLR (bal) parallel output Digital: 1x XLR AES3 input 1x XLR AES3 output
Built-in	Input gain, delay up to 330 ms, 8 full parametric IIR filters (Peaking, Shelving, Hi/Lo pass, Hi/Lo Butterworth), FIR filter for electronic beam steering Onboard preset, Level and temperature remote monitoring	Input gain, delay up to 330 ms, 8 full parametric IIR filters (Peaking, Shelving, Hi/Lo pass, Hi/Lo Butterworth), FIR filter for electronic beam steering Onboard preset, Level and temperature remote monitoring	Input gain, delay up to 330 ms, 8 full parametric IIR filters (Peaking, Shelving, Hi/Lo pass, Hi/Lo Butterworth), FIR filter for electronic beam steering Onboard preset, Level and temperature remote monitoring
Amp Module	2-ch., switch mode, class D	2-ch., switch mode, class D	2-ch., switch mode, class D
Output Power	2x 1000 W @ 8 Ω 1% THD+N	2x 1600 W @ 4 Ω 1% THD+N	2x 3500 W @ 2 Ω 1% THD+N
Power Consumption	300 W @ 8 Ω load, Pink noise 1/8 rated power	300 W @ 8 Ω load, Pink noise 1/8 rated power	600 W @ 4 Ω load, Pink noise 1/8 rated power
Protections	Over Temp. (Power Limiting – Thermal Shutdown), Short Circuit/Overload Output Protection, Power Limiting, Clip Limiter/Permanent Signal Limiter, High Frequency Protection	Over Temp. (Power Limiting – Thermal Shutdown), Short Circuit/Overload Output Protection, Power Limiting, Clip Limiter/Permanent Signal Limiter, High Frequency Protection	Over Temp. (Power Limiting – Thermal Shutdown), Short Circuit/Overload Output Protection, Power Limiting, Clip Limiter/Permanent Signal Limiter, High Frequency Protection
Operating Range	100-240V AC, 50-60 Hz with PFC	100-240V AC, 50-60 Hz with PFC	100-240V AC, 50-60 Hz with PFC
Mains Connector	powerCON with link inlet	powerCON with link inlet	powerCON with link inlet
Handling & Finishes			
Dimensions (WxHxD)	860 x 370 x 210 mm (33.8 x 14.6 x 8.2 in) with rigging hardware 735 x 285 x 200 mm (28.9 x 11.2 x 7.9 in) net dimensions	1218 x 456 x 210 mm (47.9 x 17.9 x 8.2 in) with rigging hardware 1104 x 370 x 200 mm (43.5 x 14.5 x 7.9 in) net dimensions	1162 x 590 x 851 mm (45.7 x 23.2 x 33.5 in)
Weight	29 kg (63.93 lb) (with rigging hardware)	43,6 kg / 96,12 lb (with rigging hardware)	104.4 kg (230.16 lb)
Material	Wood	Wood	Wood
Colors	Black, White, Custom RAL	Black, White, Custom RAL	Black, White, Custom RAL
IP Rating	IP20 (IP53 with K-AMPCOVER accessory)	IP20 (IP53 with K-AMPCOVER accessory)	IP20 (IP53 with K-AMPCOVER accessory)



El K1 cuenta con dos altavoces Lyzard-KZ1 de 3,7 cm de largo , un subwoofer activo ultracompacto. Los dos mini altavoces Lyzard-KZ1 de media altura son prácticamente invisibles con un transductor de 0,5 "que ofrece una cobertura homogénea con un audio nítido y son extremadamente ligeros gracias a su carcasa de aluminio duradera y resistente.

El K1 está diseñado para un uso discreto en una variedad de entornos íntimos donde se necesita música de fondo de alta calidad en una forma compacta, como museos y pequeñas tiendas minoristas.



GENERAL

Manejo de poder	Subwoofer 40W - Frecuencia media-alta 3,5W
Impedancia	Subwoofer 4Ω - Frecuencia media alta 16Ω
Rango de frecuencia	54Hz - 18KHz (+ 0 / -6dB)
SPL máximo	Pico de 98dB
Cobertura	Alta frecuencia media V.140 ° - H.140 ° Subwoofer omni

TRANSDUCTORES

Altavoz de subgraves	Imán de ferrita de alta excursión de 4 "
Altavoces medios altoslman	de neodimio de 0,5 "

E / S DE AUDIO

Analógico desequilibrado I	Jack estéreo de 3,5 mm
Óptico	SPDIF digital óptico
USB	USB 2.0 A
HDMI	HDMI tipo A
Bluetooth	5.0 versión bluetooth
Salida de línea analógica	Jack estéreo de 3,5 mm
Salida de potencia	2 x jack estéreo de 3,5 mm (izquierda-derecha)

REMOTO

Control remoto	Mando a distancia por infrarrojos
----------------	-----------------------------------

Las soluciones invisibles están en el corazón de la marca K-array.

Para satisfacer las demandas de arquitectos y diseñadores que necesitan un sistema de audio profesional sin comprometer la estética de su proyecto, nuestros sistemas de soluciones son los más discretos y cuentan con tecnología de alto rendimiento y fácil de controlar, diseñada para beneficiar al usuario final.

Incluyendo dos altavoces medios-altos y un subwoofer activo, el K1 es una solución de audio completa en un paquete en miniatura

AMPLIFICADOR

Escribe	Amplificador de audio de clase D de 3 canales
Poder	1 x 40W @ 4ohm - 2 x 20W @ 4ohm (@ 19Vdc - 10% THD)
Entrada DC	Adaptador de corriente CA / CC dedicado 100-240 V ~ CA, entrada de 50-60 Hz / 19 V, salida de 2 A CC
Contras de potencia máxima.	50W (pico) @ 19Vdc
Protecciones	Protección contra cortocircuitos de salida, compensación de CC, sobretensión, sobretensión

DESCRIPCIÓN FÍSICA

Dimensiones	Ancho del subwoofer: 250 mm (9,84 pulgadas) altura: 112 mm (4,41 pulg.) profundidad: 142 mm (5,59 pulg.)
	Ancho de altavoz medio alto: 22 mm (0,9 pulgadas) altura: 37 mm (1,5 pulgadas) profundidad: 11 mm (0,4 pulgadas)
Peso	Subwoofer 1,9 kg (4,19 libras)
	Altavoz medio alto 0,021 kg (0,046 lb)
Color	Blanco negro

ACCESORIOS

K-DANTE

Dante es una tecnología de red multicanal sin comprimir que transmite audio y datos digitales a través de redes IP estándar.

Un cable lo hace todo. Un solo CAT-5e o CAT-6 puede transportar tanto la señal de audio (AES / EBU de dos canales) como los datos para administrar todos los dispositivos en la red con el software K-Framework.

El accesorio K-Dante cuenta con dos conectores Ethernet RJ45 que conectan muchos dispositivos en la misma red sin la necesidad de ningún conmutador Ethernet externo.



K-USB

Interfaz USB-RS485 para sistemas K-array que incluyen 1 K-XM45 y 1 K-XF45.o.



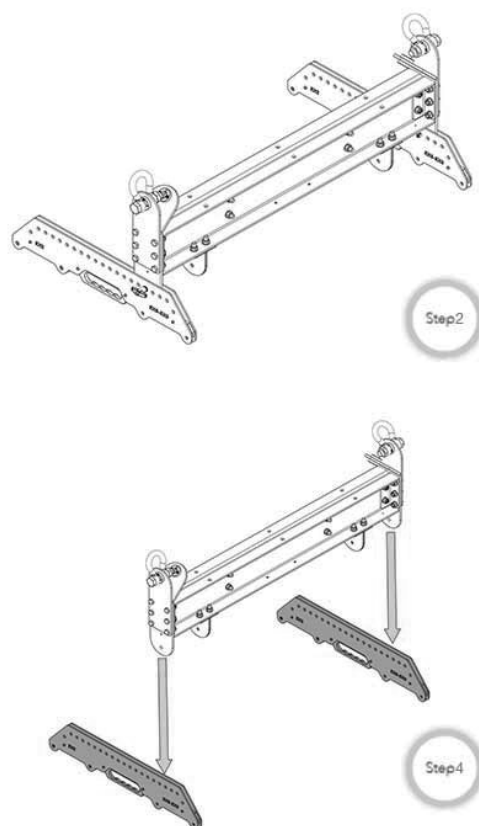
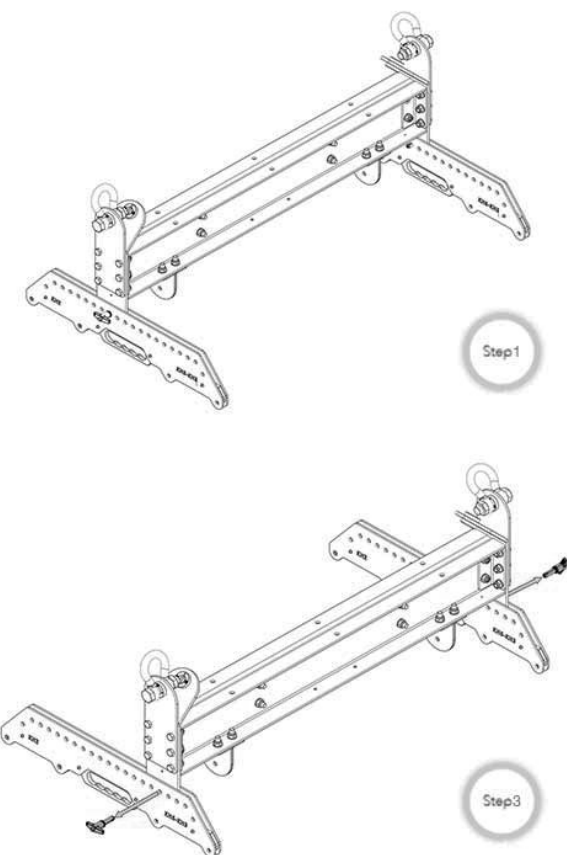
* K-XM45 & K-XF45 included

ACCESORIOS

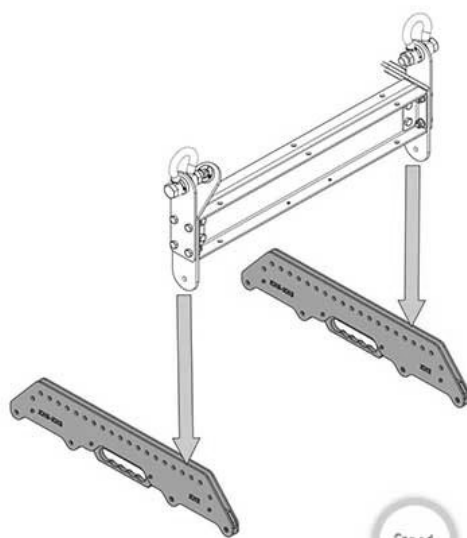


K-HCFLY

Barra de mosca para KH3 y KH5

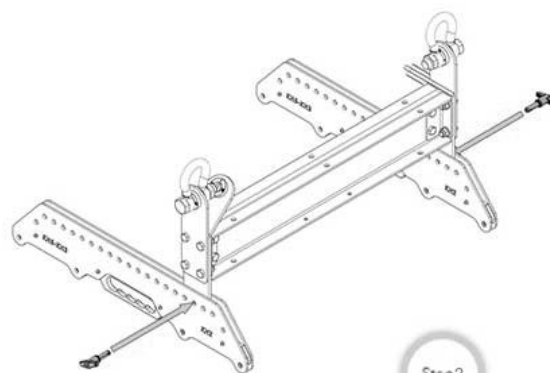


ACCESORIOS



K-HCFLY2

Barra de mosca para KH2





Rail

K-array ha combinado su audio innovador con tecnología de iluminación de alta gama en forma de RAIL, una línea de luces LED lineales cálidas y homogéneas de 1.2 metros con controladores de cono de rango completo. Y para adaptarse a una variedad de necesidades, la línea viene con una gran cantidad de combinaciones para cubrir una amplia gama de aplicaciones

LIGHT

Color Temperature	3000 K (on request 4000 K or 5000 K)
Color Rendering	1A: Ra > 90% (UNI10380)
Luminous Power	3500 Lumen
Control Interface	on/off, DALI on request
Ingress Protection Code	IP40
Power Consumption	32 W per 120 cm (50 W w/optional indirect light)
Input Voltage	24 Vdc constant voltage
Regulations	EN 60598-1:2015, EN 60598-2-1:1989, EN 62471:2008

AUDIO

Type	Line array
Drivers	3 x 1" x 5" neodymium magnet drivers
Frequency Response F.R.	60 Hz – 20 kHz (-10 dB) [full-range preset @ 84 dB max SPL]
Frequency Response W/Sub	200 Hz – 20 kHz (-10 dB) [w/subwoofer preset @ 97 dB max SPL]
Sensitivity	81.9 dB (1W, 1m)
Rated Power	35 W (75 W peak)
Maximum SPL (1 m)	100 dB peak
Nominal Impedance	48 Ω
Crossover	External crossover required
Coverage	10° vertical, 110° horizontal

HANDLING & FINISHES

Dimensions & Weight	1190 x 92 x 35 mm (46.8 x 3.62 x 1.37 in)
Colors & Finishes	Black, White, Custom RAL

ACCESSORIES

Recommended Audio Amplifier	Kommander-KA02, Kommander-KA14, Kommander-KA24, Kommander-KA84
-----------------------------	--



Productos PRO GOMEZ NARANJO & CIA LTDA

Catalogo de productos



K-ARRAY
Unique Audio Solutions